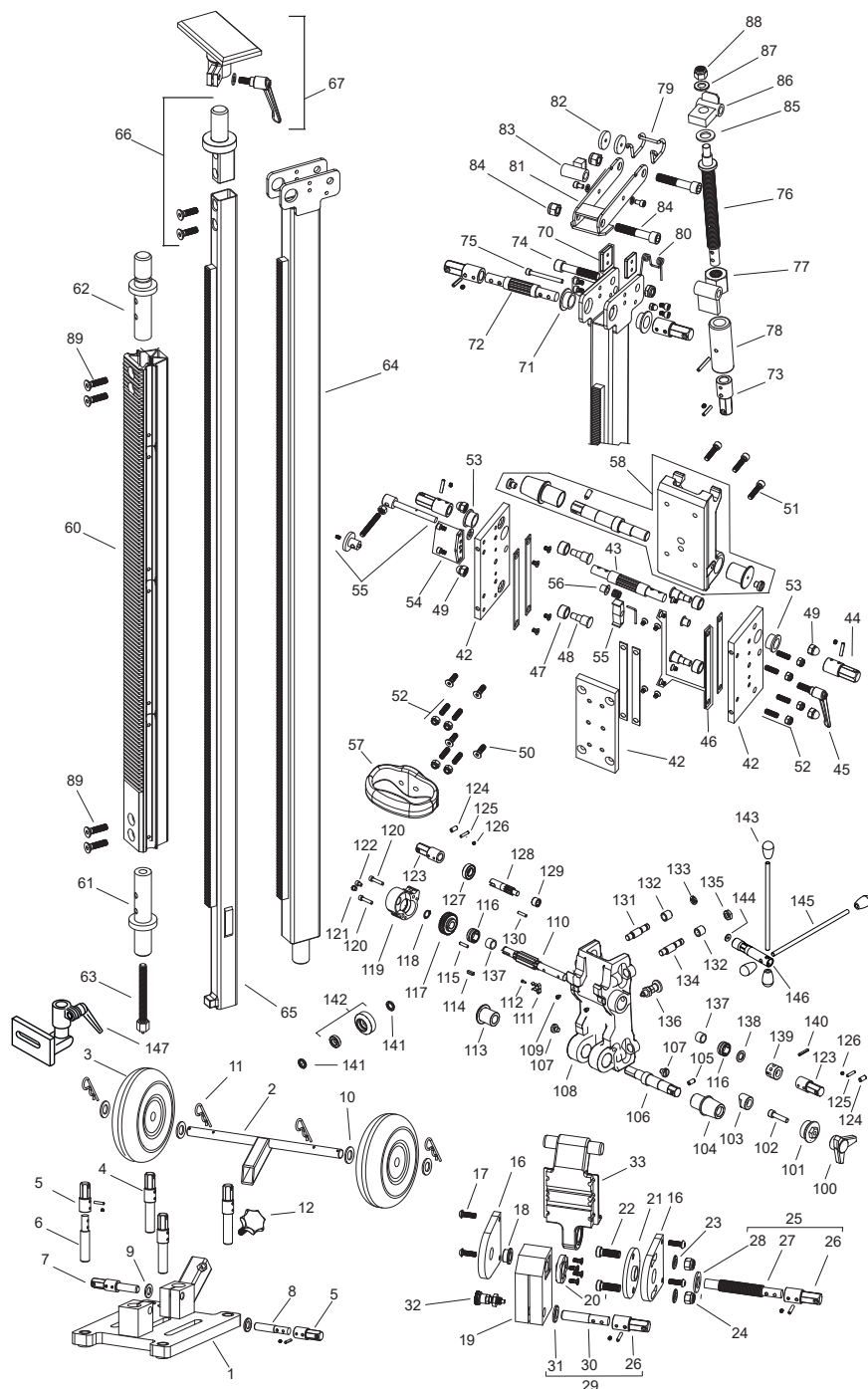
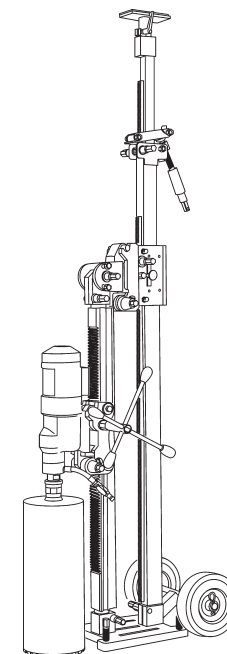


Operating Instructions

Spare parts list

Core drilling system DRU350 ★★★

Index 002



| No | Description | Qty | Part No. | No | Description | Qty | Part No. |
|----|-----------------------|-----|----------|-----|-------------------------|-----|----------|
| 1 | Base stand | 1 | 10985094 | 85 | Brass washer | 1 | 10985155 |
| 2 | Wheel axle | 1 | 10985095 | 86 | Guideplate holder | 1 | 10994774 |
| 3 | Wheel | 2 | 10985096 | 87 | Brass washer | 1 | 10985157 |
| 4 | Trapeze screw | 4 | 10985097 | 88 | M12 nut nyloc | 1 | 10985158 |
| 5 | Screw 19 mm Hex | 4 | 10985098 | 89 | M10x30 Screw | 4 | 10994773 |
| 6 | Trapeze screw 20x4 | 4 | 10985099 | 100 | Star knob M8 | 1 | 10989298 |
| 7 | M16 Screw | 2 | 10985100 | 101 | Tensioning screw | 1 | 10989293 |
| 8 | M16 Screw | 2 | 10985101 | 102 | Socket screw M8x35 | 1 | 971740 |
| 9 | Brass washer | 2 | 10985102 | 103 | Sliding block bronze | 1 | 10989297 |
| 10 | Steel washer 20mm | 4 | 10985118 | 104 | Bush I | 1 | 977491 |
| 11 | Split pin | 4 | 10985104 | 105 | Spring catch M8 | 1 | 971981 |
| 12 | Star knob M12 | 1 | 10985105 | 106 | Excentric shaft III | 1 | 977492 |
| 16 | Aluminiumplates | 2 | 10985107 | 107 | Clamping screw | 2 | 977335 |
| 17 | M8 Screw | 4 | 10985108 | 108 | Support housing | 1 | 10988545 |
| 18 | Bushing 16mm | 1 | 10985109 | 109 | Grease nipple D1 M6 | 2 | 972461 |
| 19 | Pillar holder | 1 | 10985110 | 110 | Drive shaft | 1 | 965854 |
| 20 | KB50 4xM6 screw | 1 | 10985111 | 111 | Tool clip | 1 | 10988689 |
| 21 | KB90 | 1 | 10985112 | 112 | Socket screw M3x8 | 1 | 971673 |
| 22 | M12 Screw | 2 | 10985113 | 113 | Bush II | 1 | 978540 |
| 23 | M12 Washer | 2 | 10985114 | 114 | Key | 1 | 968700 |
| 24 | M12 Nut | 2 | 10985115 | 115 | Straight pin 5m6 x 24 | 1 | 979408 |
| 25 | M20 screw | 1 | 10985116 | 116 | Needle bearing 4902 | 1 | 977501 |
| 26 | Screw 19mm Hex | 1 | 10985098 | 117 | Gear wheel | 1 | 968698 |
| 27 | M20 Screw | 1 | 10985117 | 118 | Circlip shaft dia 15 | 1 | 971992 |
| 28 | Steel washer 20mm | 4 | 10985118 | 119 | Gear housing | 1 | 968696 |
| 29 | M16 Screw | 1 | 10985100 | 120 | Socket screw M6x30 | 1 | 971713 |
| 30 | M16 Screw | 1 | 10985101 | 121 | Grease nipple D1 M8 | 1 | 972462 |
| 31 | Brass washer 16mm | 1 | 10985102 | 122 | Socket screw M6x8 | 1 | 971702 |
| 32 | Adjustable snap lock | 1 | 10985119 | 123 | Adapter | 2 | 965863 |
| 33 | Modified holder | 1 | 10994795 | 124 | Spring catch M8 | 2 | 971981 |
| T3 | Housing Tyrolit | 1 | 10985120 | 125 | Coiled spring pin 5x24 | 2 | 962474 |
| 42 | Sideplates | 3 | 10985121 | 126 | Threaded pin M6x5 | 2 | 960776 |
| 43 | Axle | 1 | 10985122 | 127 | Ball bearing 6002-2RS | 1 | 972146 |
| 44 | Screw 19mm Hex | 2 | 10985098 | 128 | Crank shaft short | 1 | 968699 |
| 45 | Lever M10x25 | 1 | 10985123 | 129 | Needle bearing 10/12 | 1 | 968701 |
| 46 | Guideplate | 6 | 10985124 | 130 | Straight pin 5m6 x 24 | 1 | 979408 |
| 47 | Bearing | 4 | 10985125 | 131 | Roll shaft centric | 2 | 10988661 |
| 48 | Bearing fastener | 4 | 10985126 | 132 | Bearing shell | 4 | 10988663 |
| 49 | Domed cap nut | 4 | 10985127 | 133 | Stop nut M12x1 | 2 | 10988554 |
| 50 | Hex socket M8x25 | 4 | 10985128 | 134 | Roll shaft excentric | 2 | 10988719 |
| 51 | Hex socket M8x30 | 4 | 10985129 | 135 | Hexagonal nut M12 | 2 | 971856 |
| 52 | M8x25 RF w. M8 | 8 | 10985130 | 136 | Locking pin M12x1.5 | 1 | 977587 |
| 53 | Bushing 20mm | 2 | 10985131 | 137 | Inner ring dia 15/20/14 | 2 | 977525 |
| 54 | Stainless steel plate | 1 | 10985132 | 138 | Washer M14 15/24/2.5 | 1 | 969122 |
| 55 | Cog lock complete | 1 | 10985133 | 139 | Ring | 1 | 977591 |
| 56 | Bush | 2 | 10985134 | 140 | Rollpin tooth.slot 5x28 | 1 | 10983077 |
| 57 | Handle incl. Screw | 1 | 10985135 | 141 | Spacer ring | 8 | 10988423 |
| 58 | Holder Tyrolit | 1 | 10987730 | 142 | Roll double-row | 4 | 10988624 |
| 60 | Feeding pillar | 1 | 10994794 | 143 | Switching handle | 4 | 980247 |
| 61 | Aluminiumpeg | 1 | 10994771 | 144 | Friction piece | 1 | 960778 |
| 62 | Aluminiumpeg | 1 | 10994772 | 145 | Crank rod long | 2 | 962480 |
| 63 | Trapeze screw | 1 | 10985138 | 146 | Crank pin | 1 | 965865 |
| 64 | Outer telescope 60x40 | 1 | 10985139 | 147 | Support plate | 1 | 11002034 |
| 65 | Inner telescope 40x30 | 1 | 10985140 | | | | |
| 66 | Aluminiumpeg / Screw | 1 | 10985141 | | | | |
| 67 | Cover | 1 | 10988096 | | | | |
| 70 | Brassplate | 2 | 10985142 | | | | |
| 71 | Bushing 20mm | 2 | 10985131 | | | | |
| 72 | Axle | 1 | 10985143 | | | | |
| 73 | Screw 19mm Hex | 2 | 10985098 | | | | |
| 74 | M12 screw and nut | 1 | 10985144 | | | | |
| 75 | M6 screw and nut | 1 | 10985145 | | | | |
| 76 | Trapeze screw 20x4 | 1 | 10985146 | | | | |
| 77 | Nut | 1 | 10985147 | | | | |
| 78 | Aluminium handle | 1 | 10985148 | | | | |
| 79 | Spring special | 1 | 10985149 | | | | |
| 80 | Spring | 1 | 10985150 | | | | |
| 81 | Guideplate | 1 | 10985151 | | | | |
| 82 | Shimwasher | 2 | 10985152 | | | | |
| 83 | Pipe with cogrod | 1 | 10985153 | | | | |
| 84 | M12 screw and nut | 2 | 10985154 | | | | |



Danger

These Operating Instructions are supplemented by the primary "Core drilling Safety Manual / System Description" documentation and by the documentation accompanying the product.

Congratulations!

You have decided to purchase a tried and tested TYROLIT Hydrostress AG system and have thus acquired a highly sophisticated and reliable state-of-the-art unit.

- High performance
- Reliable operation
- High portability
- Easy handling

Low maintenance costs

Only original TYROLIT Hydrostress AG spare parts can guarantee quality and interchangeability.

In the case of neglected or inappropriate maintenance, we will be unable to accept the warranty commitment as specified in our terms of delivery.

Any repair work must be carried out by trained personnel only.

If you need more details about how to keep your TYROLIT Hydrostress AG system in perfect condition, please contact our after-sales service for further information.

We hope that working with your TYROLIT Hydrostress AG system will be a problem-free and fault-free experience.

TYROLIT Hydrostress AG

Copyright © TYROLIT Hydrostress AG

TYROLIT Hydrostress AG

Witzbergstrasse 18

CH-8330 Pfäffikon

Switzerland

Phone 0041 (0) 44 / 952 18 18

Fax 0041 (0) 44 / 952 18 00

www.tyrolit.com

DRU350 ★★★

